

MAX-LV series

Bus Duct System



MAX LIGHT
MAX SMALL POWER
MAX TROLLEY



浙江曼德西电气设备有限公司

MAX ELECTRIC ZHEJIANG MANDEXI ELECTRIC EQUIPMEN CO.,LTD



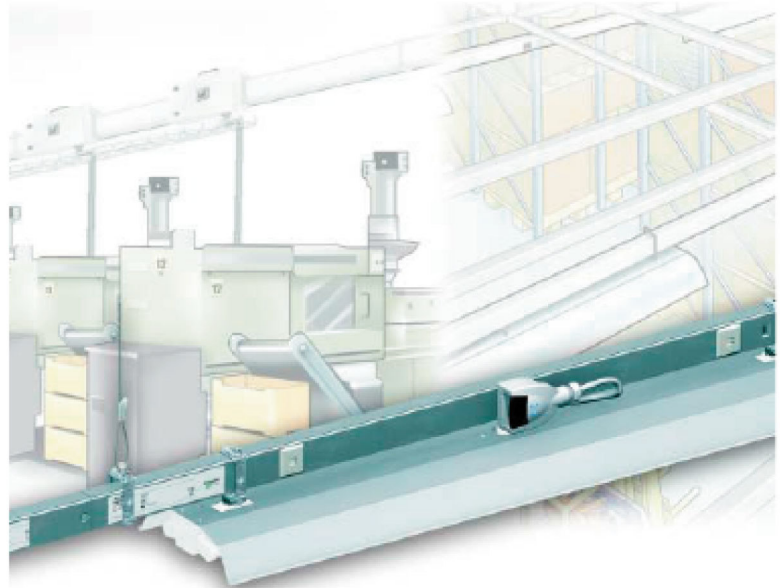
COMPANY PROFILE 公司简介

Zhejiang Mandexi Electric Equipment Co.,Ltd is located in Zhejiang province in China and established in 2005. We have been specializing in developing and manufacturing the power transmission & distribution equipment for years, we built our own brand "MAX ELECTRIC". our main products include MAX-LV- bus duct system,MAX-MV-bus duct system and MAX-HV-bus duct system.

CONTENTS

Company Profile	_____	1
MAX Light	_____	3
MAX Small Power	_____	6
MAX Trolley	_____	9

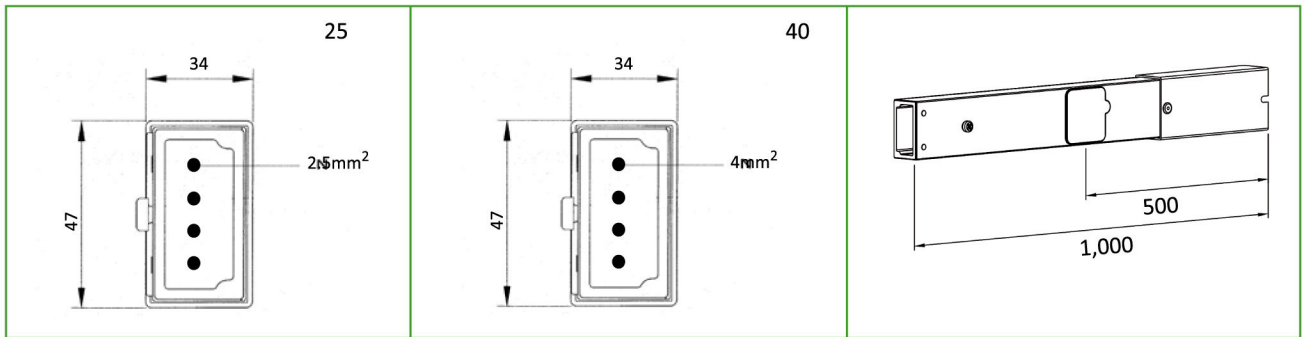
▶▶ **MAX LIGHT**
Lighting Busway
25-40 A



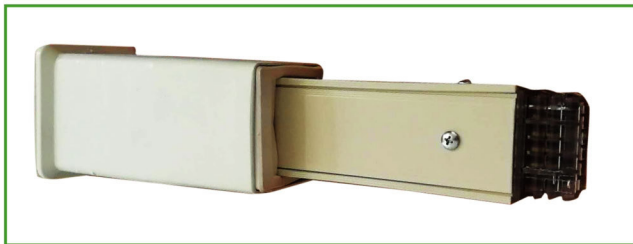
- Aluminum Housing
- Copper Conductor
- Standard Length 3m & 1m
- 2 & 4 Pole Options
- Plug in Point in every 1m / 0.5m
- Secure Fit Tap off Boxes

Straight Length

25 A			40 A		Tap off points
	Code	kg/m	Code	kg/m	
2P	MAX2532	1.59	MAX4532	1.71	3
2P	MAX25325	1.65	MAX45325	1.74	6
4P	MAX2534	1.77	MAX4534	1.89	3
4P	MAX25345	1.83	MAX45345	1.92	6



Feed Unit 25/40A



25/40A- 2/4P	
Code	MAXEF4
Cable Entry	30
MAX incoming Cable Size	16mm ²

Flexible Elbow



25/40A- 2/4P	
Code	MAXFE4
Weight	2.16 kg

End Cap



MAXEC4

Hanger

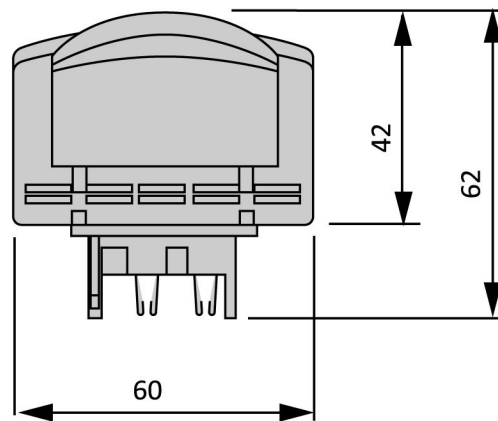
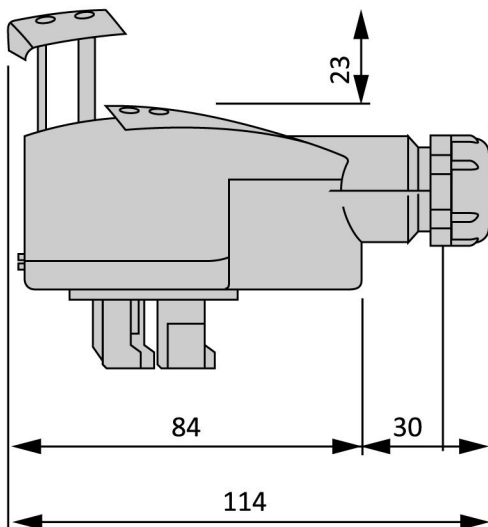
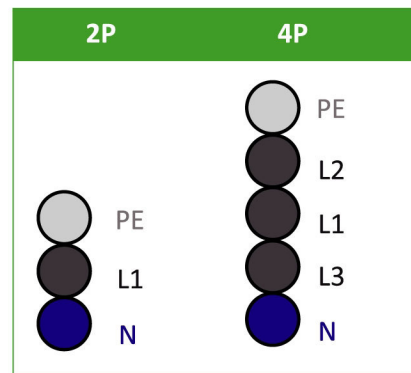
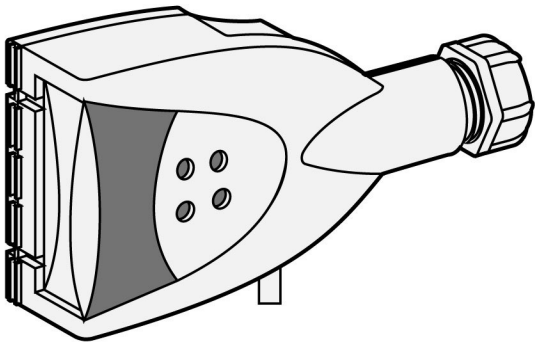


MAXH4

Tap Off Box



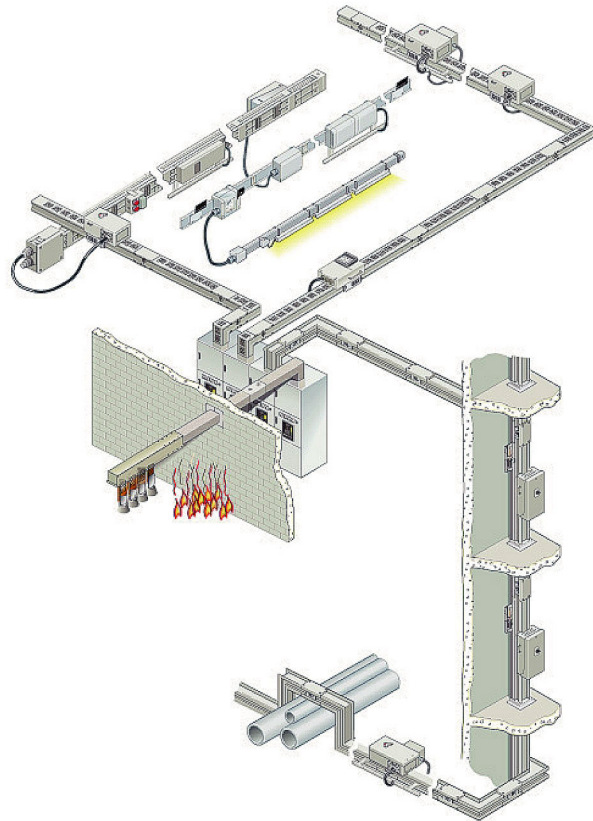
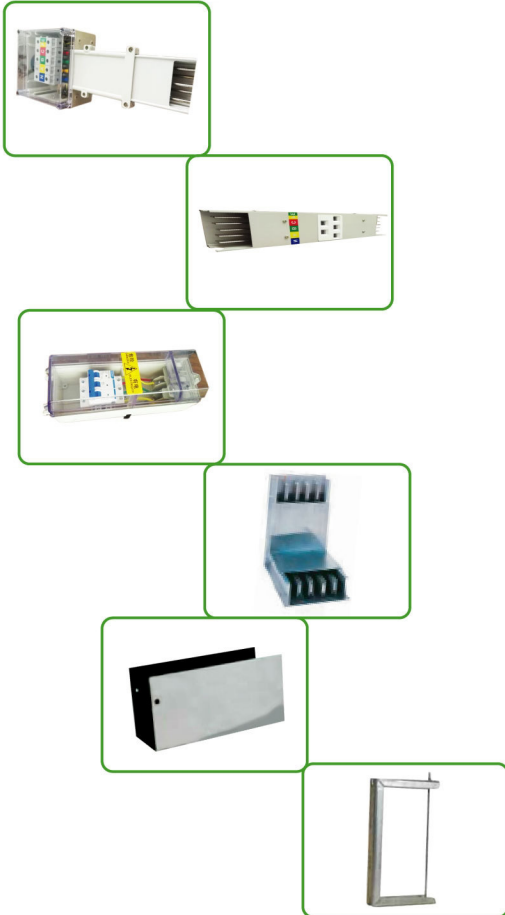
Code	MAX10LN	MAX16LN	MAX10L4	MAX16L4
Tap off material	Plastic	Plastic	Plastic	Plastic
Conductor	Cu	Cu	Cu	Cu
Rating	10A	16A	10A	16A
Max cable Section	2.5mm ²	2.5mm ²	2.5mm ²	2.5mm ²
Max entrance cable	∅ 13mm	∅ 13mm	∅ 13mm	∅ 13mm
Fuse base type	Not included	Not included	Not included	Not included
Execution	2P+PE	2P+PE	4P+PE	4P+PE



▶▶ MAX SMALL POWER BUSWAY

Small Power Range

63-400 A



- Aluminum Housing
- One Bolt Joint for fast installation
- Copper conductor available on demand
- Protection Degree from IP50 to IP55
- 4 Meter Standard Length
- 100% Neutral Conductor
- Standard Plug in Point (1 in each 1m)

Straight Length



Rating	Code	kg/m	Dimension
63A	MAX100630	3.0	80 X 50mm
100A	MAX101000	3.5	100 X 50mm
160A	MAX101600	3.7	100 X 50mm
250A	MAX102500	4.4	100 X 75mm
400A	MAX104000	4.8	100 X 75mm

Flexible Elbow



MAXFX16

Horizontal Elbow



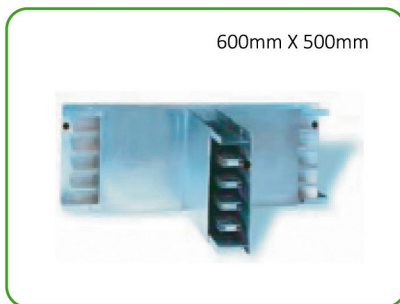
MAX100101

Vertical Elbow



MAX100102

T Element



63/160A : MAX100111
250/400A : MAX100112

Fixing Hanger

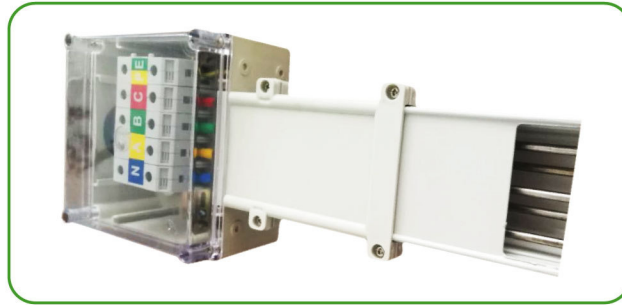


63 : MAX010000
100/400A : MAX010001

End Cap



63 : MAX100027
100/400A : MAX100028



Feed Unit 63/100A

Code	MAX100021
Dimension (L X W X D)	385 X 254 X 126mm

Feed Unit 160/400A

Code	MAX100022
Dimension (L X W X D)	695 X 300 X 152mm

Tap off Box for MCB 32/40A



Code	MAX400252
Materials	Plastic
Conductor Materials	Cu
Maximum Cable Size	6mm ²
Maximum Cable Dia	22.5mm
MCB Module No.	8
Dimension	272 X 92 X 115mm

Tap off Box for MCCB 63/160A



Code	MAX400633
Materials	Steel
Conductor Materials	Cu
Maximum Cable Size	50mm ²
Type	With off Load
MCCB Module No.	4
Dimension	150 X 350 X 120mm

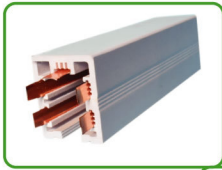


One Bolt Joint

63A	MAX0635
100/400A	MAX4005

▶▶ MAX TROLLEY

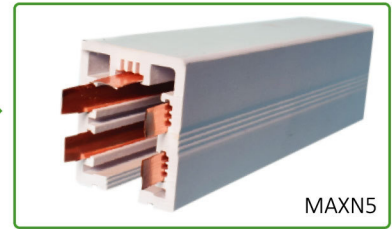
30-50-80A



- Trolley system for cranes, Cutting Textiles, Building Maintenance Unit
- Rating 30A, 50A & 80A
- PVC & Aluminum Housing with Space upto 5 uninterrupted conductors
- Possible to install at any height
- Low Voltage Drop
- High Transfer Speed
- Low Maintenance
- Standard Length 4m
- IP Rating 23

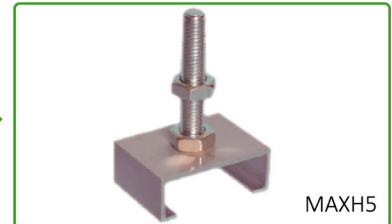
Trolley Housing

PVC that get to temperature of exercise from -30° to $+60^{\circ}$ with a detail that prevent the introduction of the Collector trolley (A).



Sliding Hanger

The sliding hanger supports without locking the PVC Housing. It is important that the sliding hanger are recured to the brackets exactly on the ideal Line. 3 hanger for each 4m



Joint Clump

It has the function of realizing a solid & secure connection between the PVC element along with the entire length of the line.



End Box

It is used for the feed of the line at the end of the same.



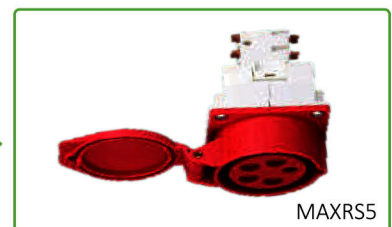
End Cap

It is used to protect the conductors ends protruding from the last element of the housing line.



Rotary Socket (3P+N+PE)

- It may use for the cutting textiles.
- Both 2P +N+PE or 3P+N+PE is applicable.
- Ampere can be 16 or 32A as per the requirements.



Trolley Car

No. of Pole	Amp.	Code
4	35	MAX-4-35
5	35	MAX-5-35
4	50	MAX-4-50
5	50	MAX-5-50



Part of International Projects:



Armenia Power Plant



Bulgrian Shopping Center



UAE Dubai Project



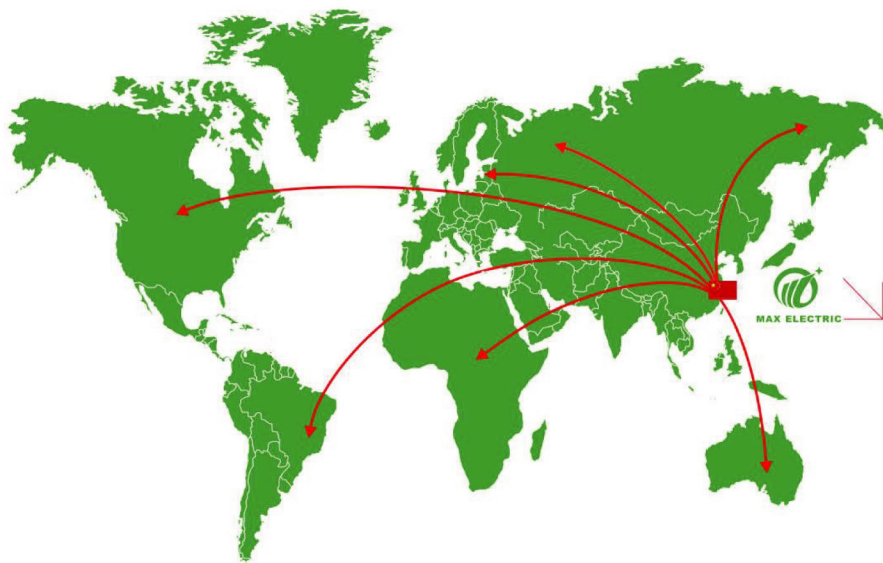
Indonesia Power Plant



South Africa Truck factory



Columbia Shopping Center



MAX Clients All Over the World



MAX ELECTRIC

MAX-LV series
Bus Duct System



MAX ELECTRIC

浙江曼德西电气设备有限公司

ZHEJIANG MANDEXI ELECTRIC EQUIPMEN CO.,LTD

Address: KangAn road #12, Baihe industrial zone,
Tiantai, Taizhou, Zhejiang province, China

Tel: 0576-83836999

Fax: 0576-83836969

Website: www.zjmax.en.alibaba.com

Email: sales8@zjmaxe.com